

CHANNELS OF REQUISITION AND SUPPLY

COVER SHEET

1. Attached hereto are three charts showing requisition and supply channels as follows:

Sheet 2 - All services except Ord, Sig  
and CWS.

Sheet 3 - Ordnance only.

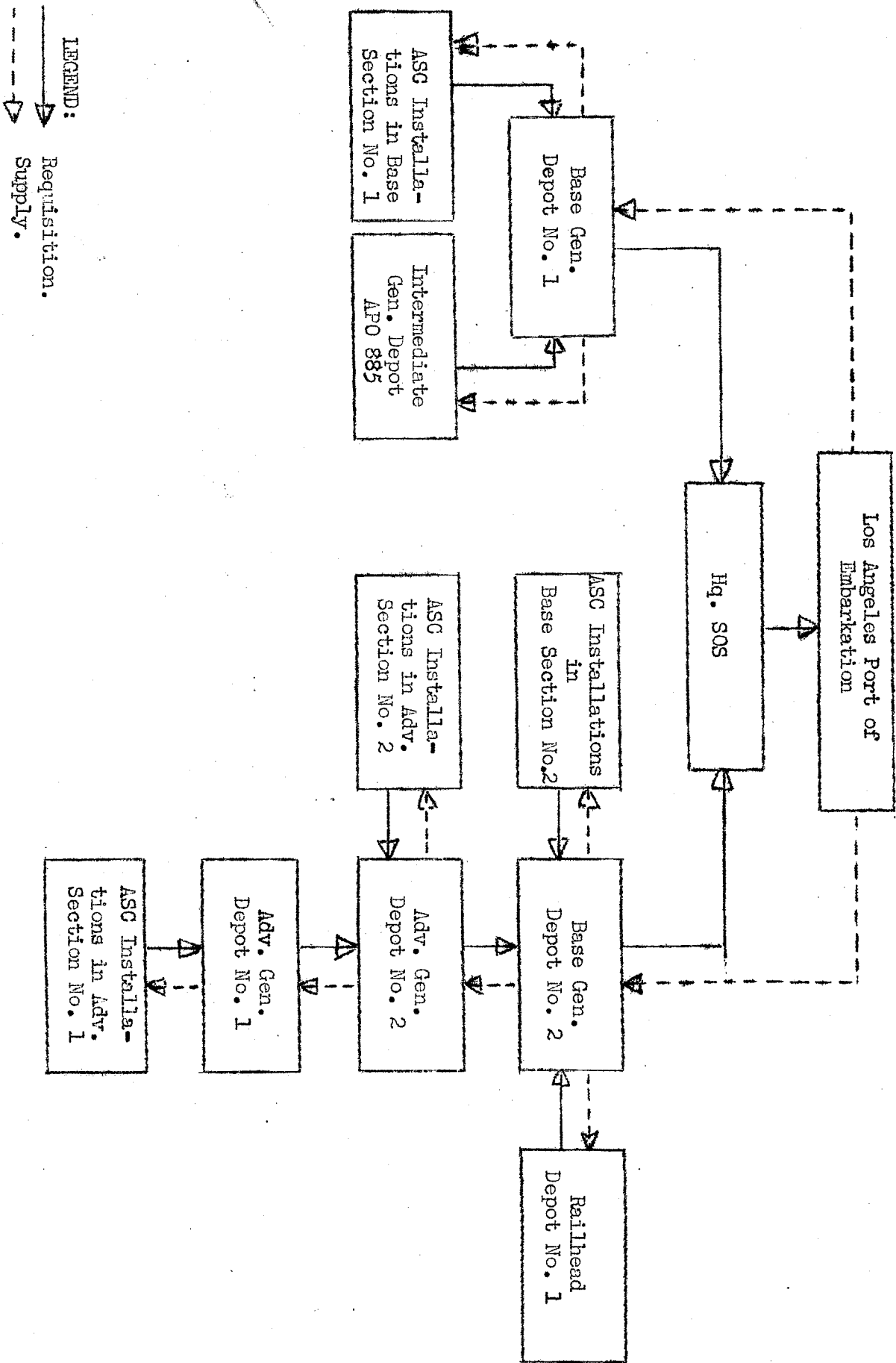
Sheet 4 - Signal, CWS only.

2. Requisitions from ASC installations will be channeled to the parent Air Depot Group for consolidation and submission to the S.O.S. General Depot upon which those installations are dependent for supply. In the absence of an Air Depot Group, the Commanding General, ASC will designate an Air Service Center as the ASC consolidating and requisitioning agency.

INCLOSURE NO. 3

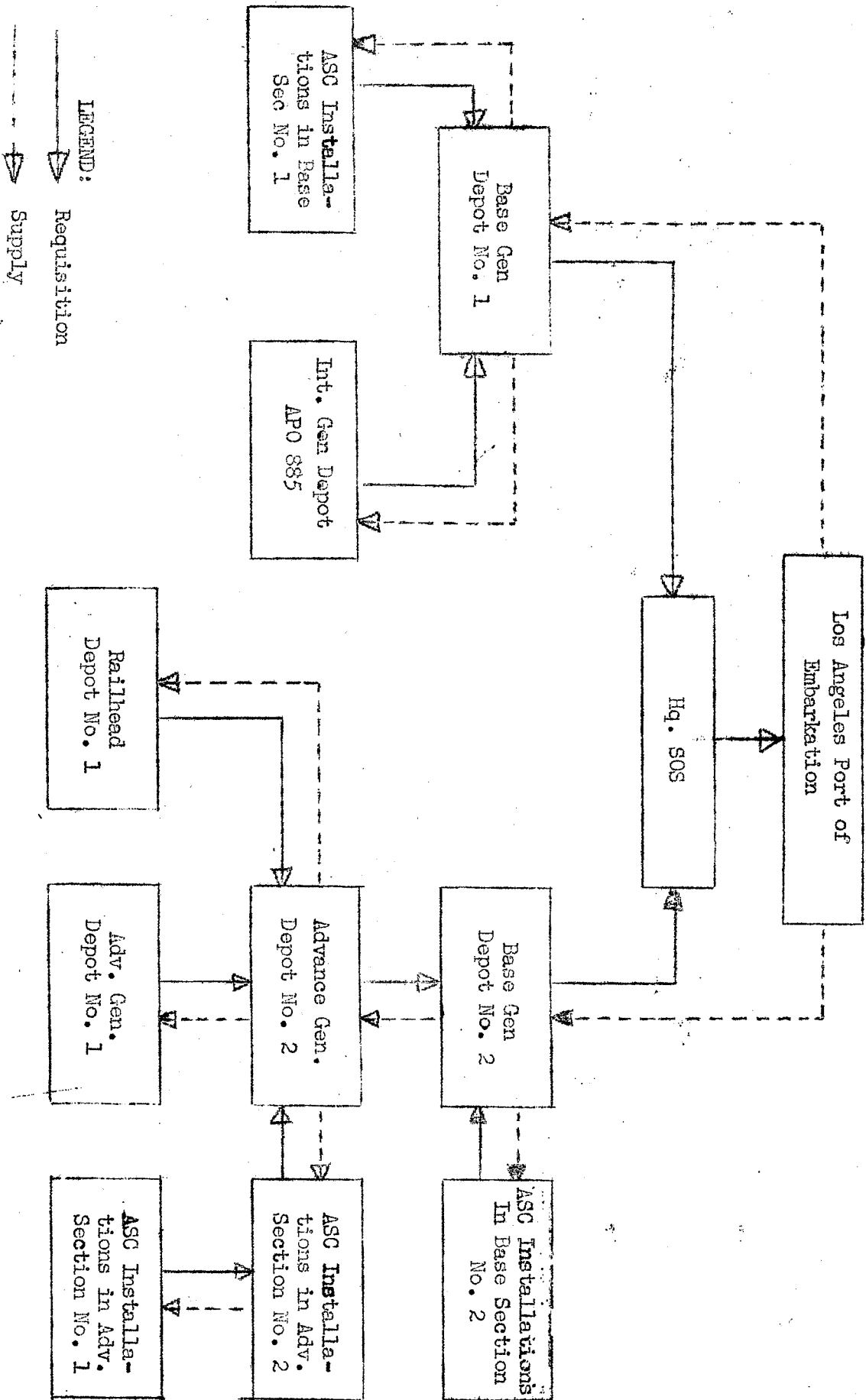
CHANNELS OF REQUISITION AND SUPPLY

ALL SERVICES EXCEPT ORD, SIG AND CWS.



CHANNELS OF REQUISITION AND SUPPLY

ORDNANCE ONLY



CHANNELS OF REQUISITION AND SUPPLY

SIGNAL & CWS ONLY

